

Installation Manual

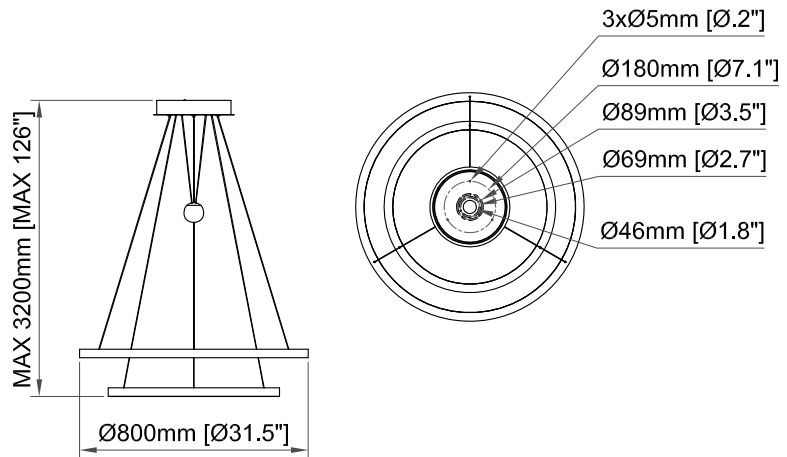
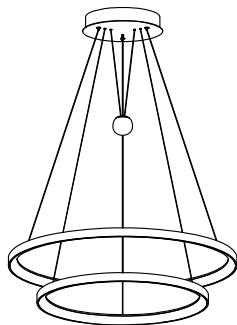
PAGEONE
lighting

ITEM NO.: PP121548

Figure No.1: Unpack the box, and check the contents of the box for the following items below.



- 3PCS
- 2PCS
- 3PCS
- 3PCS

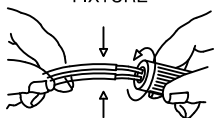


INSTALLATION INSTRUCTIONS FOR HANGING FIXTURES

FIGURE 1, 2 ,3 AND 4 MOUNTING HARDWARE.

NOTE: TEST THE CONNECTOR BY GENTLY PULLING IT. IF IT PULLS OUT THE CONNECTION, TRY AGAIN TILL YOU HAVE A FIRM CONNECTION. MAKE SURE NO BARE STRANDS OF WIRE STICK OUT FROM UNDER THE CONNECTORS.

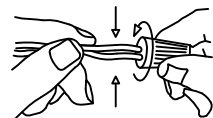
WHITE OR MARKED WIRE FROM FIXTURE



WHITE WIRE FROM OUTLET BOX

FIGURE 1

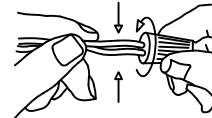
BLACK OR MARKED WIRE FROM FIXTURE



BLACK WIRE FROM OUTLET BOX

FIGURE 2

GREEN OR BARE COPPER WIRE (GROUNDING WIRE)



GREEN OR BARE COPPER WIRE (GROUNDING WIRE)

FIGURE 3



FIGURE 4

CAUTION:

"Warning", "This product is to be installed by a qualified electrician only."
"Suitable for dry locations only"

CAUTION:

1. The safety of the appliance is ensured by carefully following the mounting instructions and it is therefore necessary to conserve them.
2. When installing and whenever acting on the appliance, ensure that the power supply has been switched off.

INSTALLATION: See fig. A, B, and C

1. Carefully read the Electrical Connection section and make electrical connections.
2. Assemble lighting onto the outlet box as shown on back page.

ELECTRICAL CONNECTIONS: See fig. 1, 2, 3, and 4

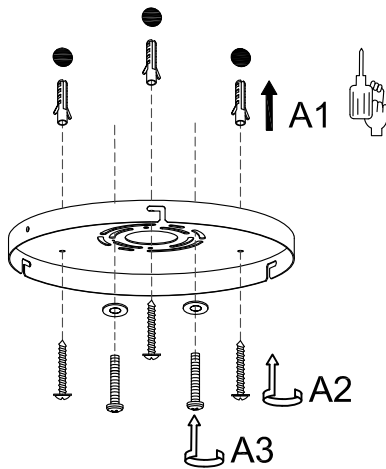
1. Connect the white wire from the fixture to the white wire of the electrical outlet box.
2. Connect the black wire from the fixture to the black wire of the electrical outlet box.
3. Connect the grounding conductor from the fixture to the grounding wire of the electrical outlet box.
4. Spread out the electrical wires so that the black ones are on one side of the outlet box and the white ones are on the other side, and carefully introduce them into the outlet box.
5. Fastened and secure the hanging fixture to its mount with the light fixture screws.

Installation Instructions Sections

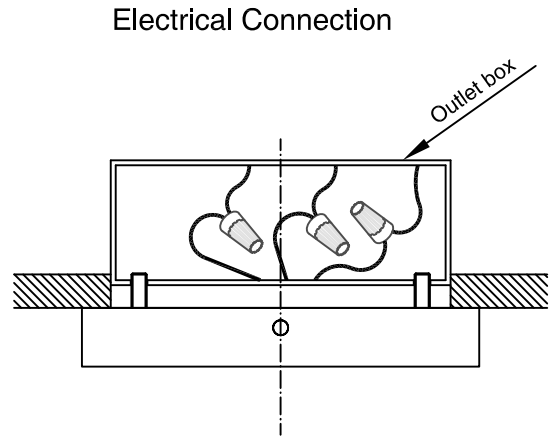
PAGEONE
lighting

ITEM NO.: PP121548

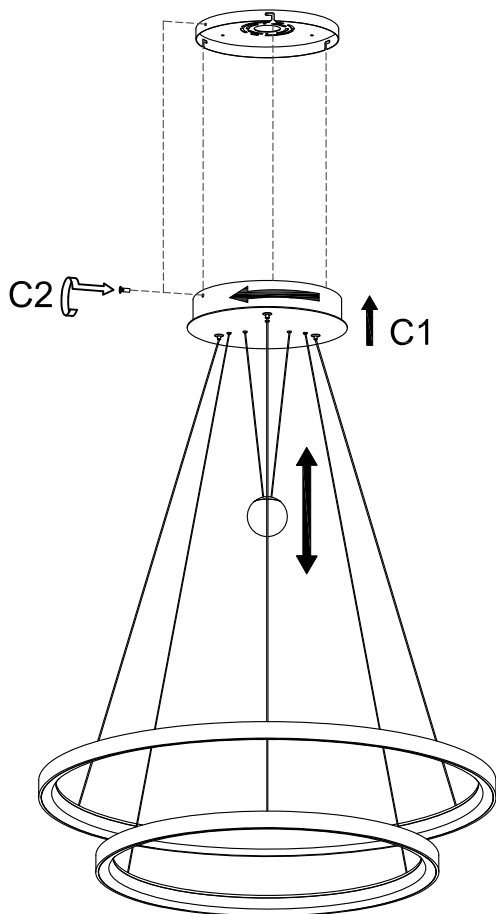
A



B



C



Precautions for installation and use:

To adjust the fixture to the desired height using the cantilever system, please ensure to hold the ball carefully so that the wires do not come in contact with each other.

If the wires do come into contact with one another there will be a short-circuit and the driver will trigger the short-circuit protection, causing the light source to go out momentarily.

Once the wires have been separated the fixture should return to normal without the lifespan and use of the fixture affected.

The exposed copper wire are extra-low voltage ($\leq 36Vdc$) and can be safely received by the human body.

To shorten the wires, see step D:

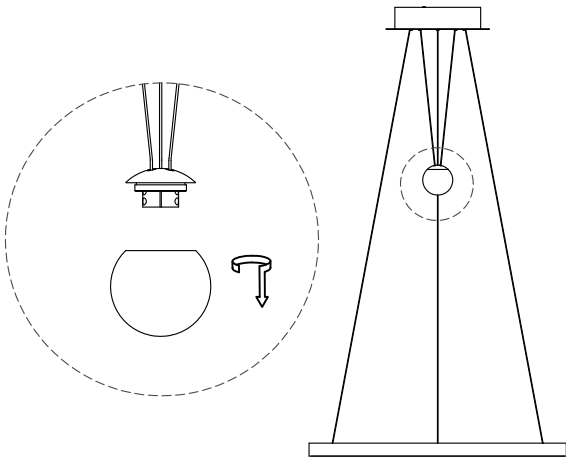
Installation Instructions Sections

PAGEONE
lighting

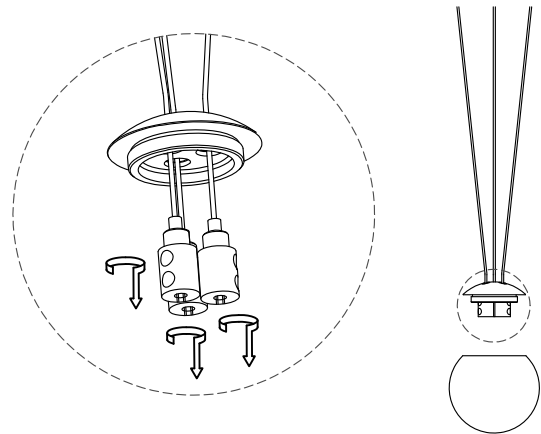
ITEM NO.: PP121548

D Steps to shorten lamp wires:

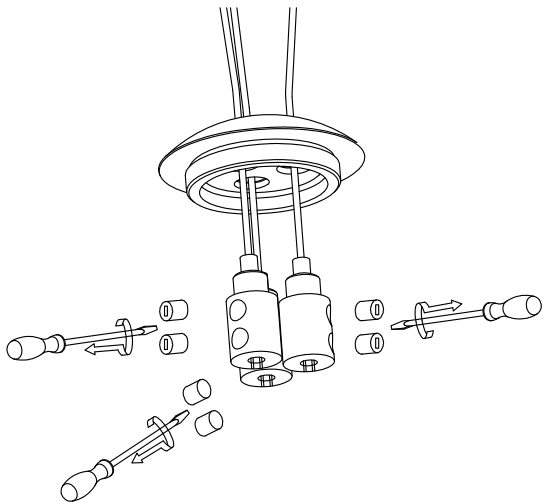
D1. Unscrew the cover of the metal ball.



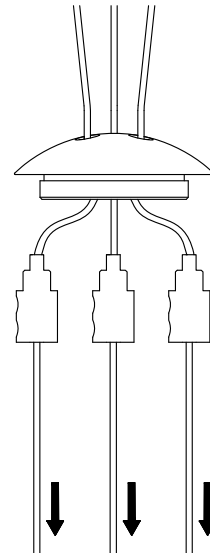
D2. Twist the three cylindrical wire pillars out its holder.



D3. Use a slotted screwdriver to carefully loosen the six plastic screws on the pillar. Once the screws have been removed, the pillars can slide freely on the wire.



D4. Adjust the lengths of the wires accordingly to your preference. Please ensure that the exposed lengths of the three adjusted hanging wires are consistent, otherwise the lamp will be uneven.



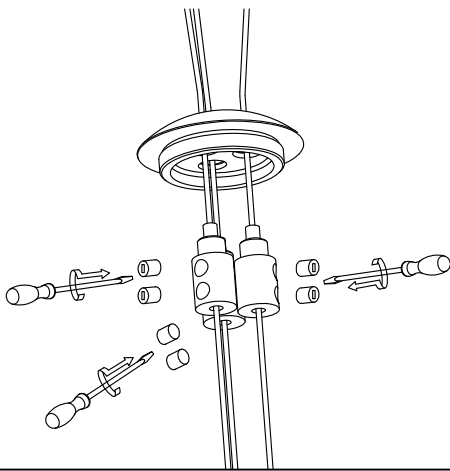
Installation Instructions Sections

PAGEONE
lighting

ITEM NO.: PP121548

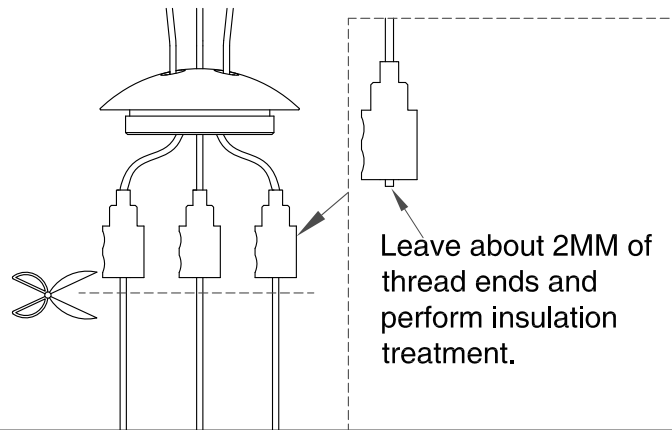
D Steps to shorten lamp wires:

D5. Once the lengths have been decided slide the pillars to the appropriate position and tighten the six plastic screws.

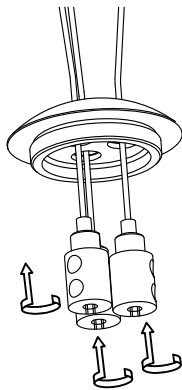


D6. Cut off excess wires.

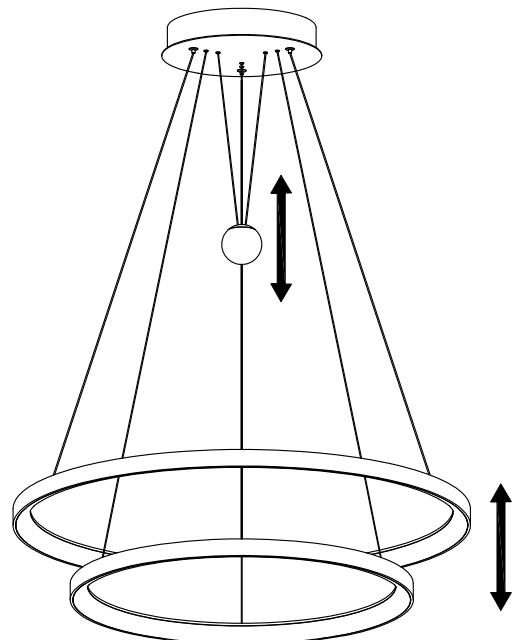
Caution:
The three hanging wires cannot touch each other, nor can they touch the ball cap.



D8. Twist the 3 fixed pillars back into their position.



D10. Fixture rewiring is completed.



D9. Screw the metal cover with its bottom piece.

